

# MARTIN™ MT 78 and MT 89

## SPECIFICATIONS:

### MT 78

30 yds. WF8F plus 100 yds. of 20# backing capacity

5.2 oz. Weight

3 1/2" Diameter

1 3/16" Spool Depth

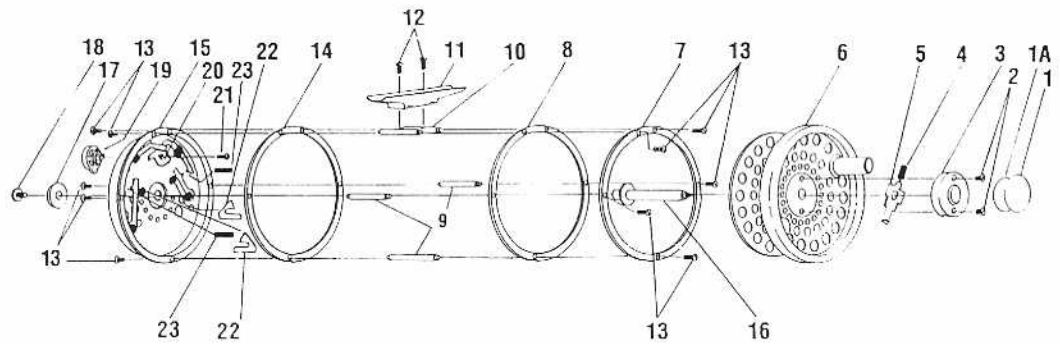
### MT 89

30 yds. WF9F plus 100 yds. of 20# backing capacity

5.6 oz. Weight

3 1/2" Diameter

1 5/16" Spool Depth



## FEATURES:

Single action

Lightweight aluminum alloy frame

Dual pawl adjustable drag.  
Cam adjustable and easily converted for right/left hand retrieve

Counter-balanced rim-control spool

Machined, replaceable reel foot

Five-year limited warranty

# ReelSchematic

Key No.	MT 78 Part No.	MT 89 Part No.	Description	Price
1	727S	727S	Medallion	1.40
1A	9501	9501	Medallion Glue Circle	.93
2	RR130-10A	RR130-10A	Spool Lock Cap Screw	.20
3	251X-MP	251X-MP	Spool Lock Cap	1.20
4	253S	253S	Spool Lock Spring	.32
5	XM050-01A	XM050-01A	Spool Lock	.80
6	F52	F53	Spool Assembly	14.50
7	WC193-03	WC193-03	Rim (Spool Side)	2.72
8	WC193-09A	WC193-09A	Line Guide (Spool Side)	2.38
9	783-01B	894-01A	Post	1.94
10	783-01BSAW	894-01ASAW	Reel Foot Post	1.95
11	809-01A	809-01A	Reel Foot	5.57
12	RR130-05	RR130-05	Reel Foot Screw	.20
13	234	234	Post Screw	.32
14	M-781-01BCP	M-781-01BCP	Line Guide (Back Side)	2.51
15	S-1-MT78-01ACP	S-1-MT89-01ACP	Back Cover	3.95
16	780-01B	901-01A	Spindle	2.80
17	774-01A	774-01A	Spindle Cap	.84
18	RR130-07A	RR130-07A	Spindle Screw	1.00
19	LC032-01A	LC032-01A	Drag Knob	.89
20	150-01ATP	150-01ATP	Drag Cam	1.00
21	RR130-06	RR130-06	Drag Cam Screw	.73
22	756-CP	756-CP	Pawl	.54
23	510S	510S	Pawl Spring	.32

MODEL INTRODUCED	EFFECTIVE DATE OF PARTS LIST/DIAGRAM	Oct. 1996	DISCONTINUED	N/A
------------------	--------------------------------------	-----------	--------------	-----

Prices subject to change without notice. Prices do not include postage and handling.

PLEASE ORDER BY PART NUMBER Zebco Division Brunswick Corporation, Box 270, Tulsa, OK 74101 USA 918-831-6965

